

Eco Preparation 1000 mm Sink with 2 Bowls

ITEM # _____

MODEL # _____

NAME # _____

SIS # _____

AIA # _____


132901 (SL210N)

 Sink Unit with 2 bowls
 500x500x250mm, 1000mm

Short Form Specification

Item No. _____

Worktop in 304 AISI stainless steel with front edge h=50mm. Rear upstand h=100mm. N.2 bowls 400x500mm. Front and side covering panels in stainless steel. Rear panel in stainless steel. Square section legs 40x40mm in stainless steel with adjustable feet.

Main Features

- Sturdiness, stability and reliability of table accurately tested.

Construction

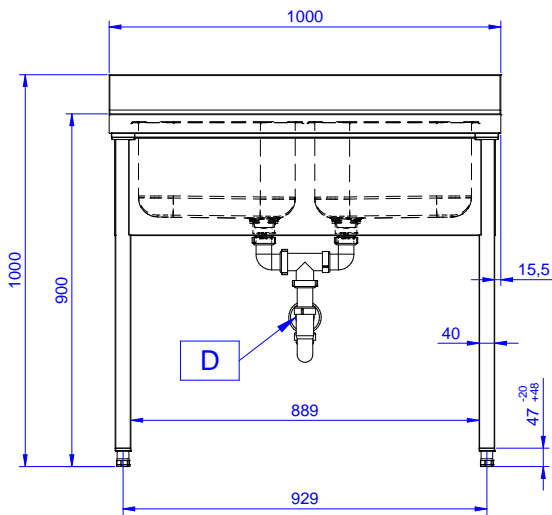
- Constructed entirely in stainless steel to offer maximum durability.
- Delivered in knock-down package.
- Wide range of taps are available to suit every need.

Optional Accessories

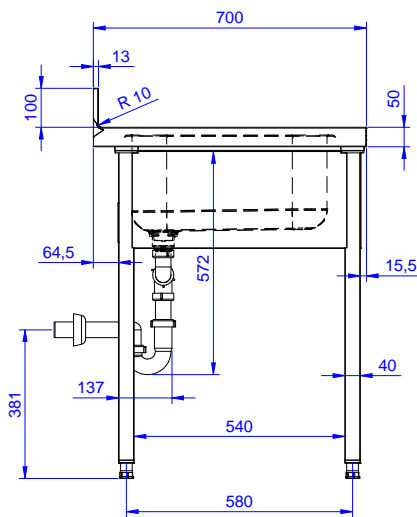
- Lower shelf for 1000 mm tables PNC 855144 and sinks and for 1600 mm undercounter dishwasher sinks
- Set of 4 wheels (2 with brake) PNC 855150 d. 100mm for tables and sinks (total height on wheels= 993 mm)
- 3-sided underframe for PNC 855151 1000mm tables
- Single plastic drain syphon 1,5 " for work tables with bowl PNC 855306
- Elbow operated mixer tap with PNC 855322 spout 3/4", single hole
- Elbow operated mixer tap with PNC 855323 short spout 3/4", single hole
- Foot operated mixer tap (hot and cold) with spout 3/4" PNC 855328

APPROVAL: _____

Front

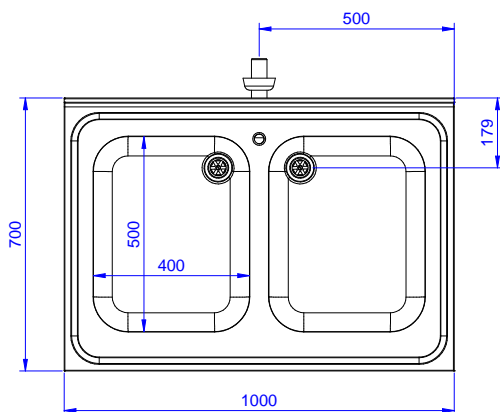


Side



D = Drain

Top


Key Information:

| | |
|------------------------------|--------------|
| External dimensions, Width: | 1000 mm |
| 132901 (SL210N) | 1000 mm |
| External dimensions, Depth: | 700 mm |
| External dimensions, Height: | 900 mm |
| Upstand Dimensions, Height: | 100 mm |
| Upstand Dimensions, Depth: | 13 mm |
| Upstand Dimensions, Radius: | R=10 |
| Bowls number | 2 |
| Bowl dimensions | 400X500XH250 |
| Net weight: | 40 kg |